

PARTS LIST

[ KD-SX975 ]  
[ KD-SX875 ]

\* All printed circuit boards and its assemblies are not available as service parts.

Area suffix

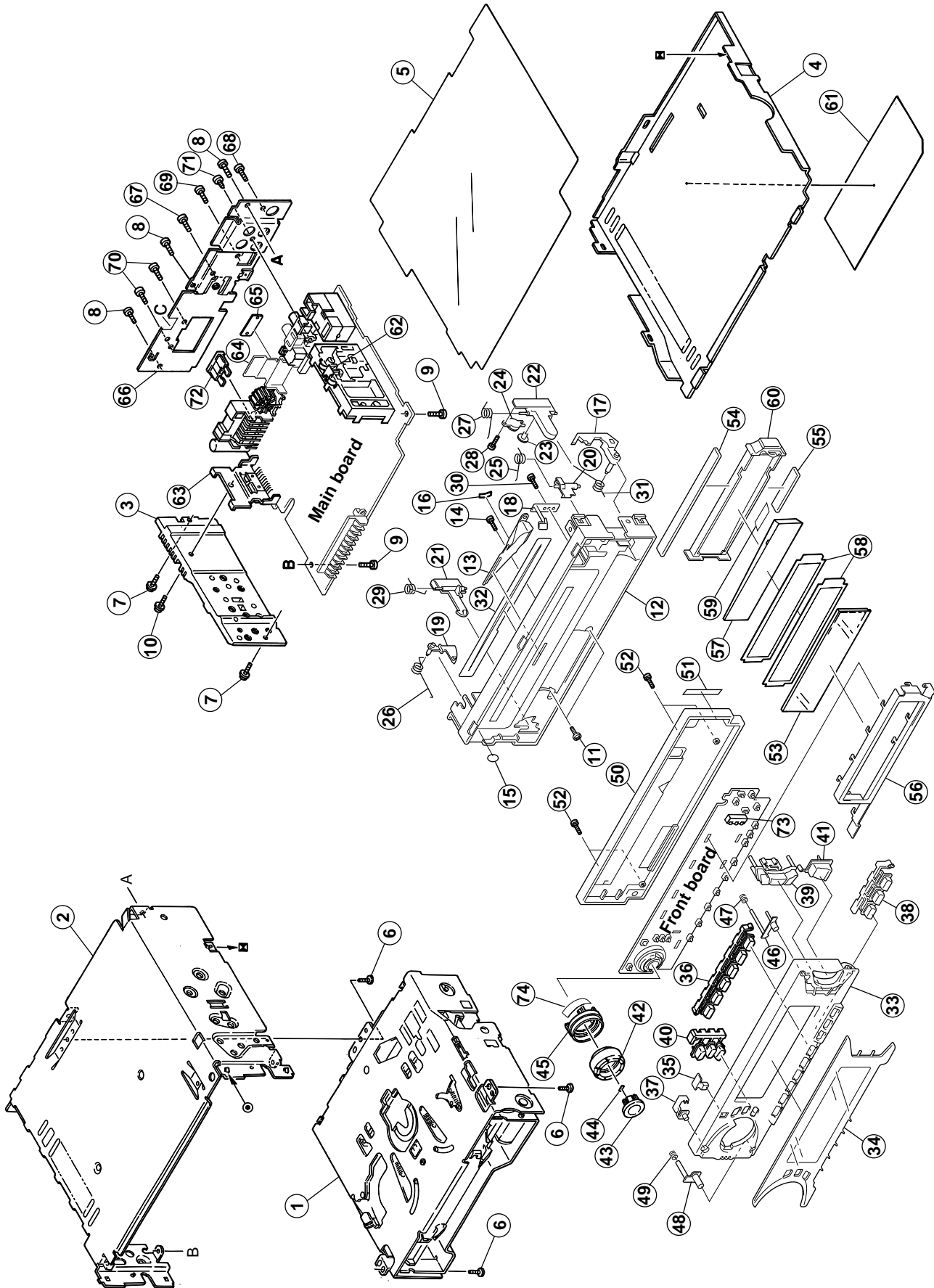
U ----- Other Areas

- Contents -

Exploded view of general assembly and parts list .....	3- 2
CD mechanism assembly and parts list .....	3- 5
Electrical parts list .....	3- 8
Packing materials and accessories parts list .....	3-14

# Exploded view of general assembly and parts list

Block No. M 1 M M



**Parts list (General assembly)**

Block No. M1MM

▲	Item	Parts number	Parts name	Q'ty	Description	Area
	1	-----	CD MECHA	1		
	2	FSJC1029-401	TOP CHASSIS	1		
	3	FSMH3001-204	HEAT SINK	1		
	4	FSKM3011-002	BOTTOM COVER	1		
	5	FSMA3005-001	INSULATOR	1		
	6	QYSDST2604Z	SCREW	3	CHASSIS+CD MECHA	
	7	FSKZ4005-001	SCREW	2	CHASSIS+SIDE PAN	
	8	QYSDST2604Z	SCREW	3	CHASSIS+REAR BK	
	9	QYSDST2606Z	SCREW	2	CHASSIS+MAIN PW	
	10	FSKZ4005-001	SCREW	1	SIDE PANEL+IC B	
	11	QYSDSF2006M	SCREW	2	F.CHASSIS+CONECTOR	
	12	FSJC1061-002	FRONT CHASSIS	1		
	13	VJK3709-002	LIGHT LENS	1		
	14	VKZ4777-001	MINI SCREW	1	L.LENS+F.CHASSIS	
	15	FSYH4036-057	SHEET	1		
	16	FSYH4036-055	SHEET	1	LIGHT LENS	
	17	FSKS3014-001	OPEN LEVER	1		
	18	FSKS3015-001	LOCK LEVER(O.L)	1		
	19	VKS3798-002	RELEASE LEVER	1		
	20	VKS3793-001	LOCK LEVER(TOP)	1		
	21	VKS3794-003	LOCK LEVER(L)	1		
	22	VKS3795-002	LOCK LEVER(R)	1		
	23	VKS5563-001	GEAR	1		
	24	VKZ4786-002	OIL DAMPER	1		
	25	FSKW4012-001	T.SPRING	1	FOR L.LEVER(TOP)	
	26	VKW5264-005	T.SPRING	1	FOR RELEASE LEV	
	27	VKW5262-001	T.SPRING	1	FOR L.LEVER(R)	
	28	QYSDSF2006M	SCREW	1	DAMPER+L.LEVER(R)	
	29	VKW5263-002	T.SPRING	1	FOR L.LEVER(L)	
	30	VKZ4777-001	MINI SCREW	1	LOCK LEVER(O.L.)	
	31	FSKW4013-002	T.SPRING	1	FOR OPEN LEVER	
	32	VYTA526-002	BLIND	1		
	33	GE10005-001A	FRONT PANEL	1	KD-SX875	
		GE10005-002A	FRONT PANEL	1	KD-SX975	
	34	GE30113-008A	FINDER ASSY	1	KD-SX975	
		GE30113-009A	FINDER LENS	1	KD-SX875	
	35	FSJK4009-001	REMOTE LENS	1	FOR REMOTE CON.	
	36	GE20104-001B	PRESET BUTTON	1	1-6 (2 COLOUR)	
	37	GE30105-002B	POWER BUTTON	1		
	38	GE30106-004A	SND FUNC BTN	1		
	39	GE20110-003C	D.FUNC BUTTON	1		
	40	GE20103-001A	PUSH BUTTON(3)	1		
	41	GE20109-001C	UP DOWN BUTTON	1		
	42	GE30103-001B	KNOB	1	JOG DIAL	
	43	GE30102-002A	SEL BUTTON	1		
	44	FSYH4036-032	SHEET	1	SEL BTN	
	45	GE30104-001A	RIM LENS	1	FOR KNOB	
	46	GE30115-002A	EJECT BUTTON	1		

## ■ Parts list (General assembly)

Block No. M1MM

△	Item	Parts number	Parts name	Q'ty	Description	Area
	47	VKW3001-330	COMP.SPRING	1	FOR EJECT BUTTO	
	48	GE30116-001A	DETACH BUTTON	1		
	49	VKW3001-330	COMP.SPRING	1	FOR DETACH BUTT	
	50	GE10006-001A	REAR COVER	1		
	51	FSYH4036-035	SHEET	1	REAR COVER	
	52	VKZ4777-001	MINI SCREW	4	FRONT+REAR	
	53	QLD0163-001	LCD MODULE	1		
	54	QNZ0449-001	RUBBER CONNECTO	1		
	55	QNZ0450-001	RUBBER CONNECTO	1		
	56	GE30114-001A	LCD CASE	1		
	57	FSJK3028-001	LCD LENS	1		
	58	FSYH4061-001	LIGHTNG SHEET	2		
	59	FSYH4036-052	SHEET	1		
	60	FSKS3013-001	LENS CASE	1		
	61	GE30155-002A	NAME PLATE	1	KD-SX975	
		GE30154-002A	NAME PLATE	1	KD-SX875	
	62	VMA4652-001SS	EARTH PLATE	1		
	63	FSKL4024-001	IC BRACKET	1		
	64	GE40103-001A	REG BRACKET	1		
	65	GE40104-002B	HEAT SINK	1		
	66	FSKM3010-017	REAR BRACKET	1		
	67	QYSDST2606Z	SCREW	1	REAR BKT+REG BK	
	68	QYSDST2606Z	SCREW	1	REAR BKT+ANT JACK	
	69	QYSDST2606Z	SCREW	1	REAR BKT+CD IN JACK	
	70	QYSDST2606Z	SCREW	2	REAR BKT+16P CO	
	71	QYSDSF3006Z	SCREW	1	REAR BKT+PIN JACK	
△	72	QMFZ047-150-T	FUSE	1		
	73	FSKS3017-002	LED HOLDER	1		
	74	GE40117-001A	LIGHT COVER	1	KD-SX975	

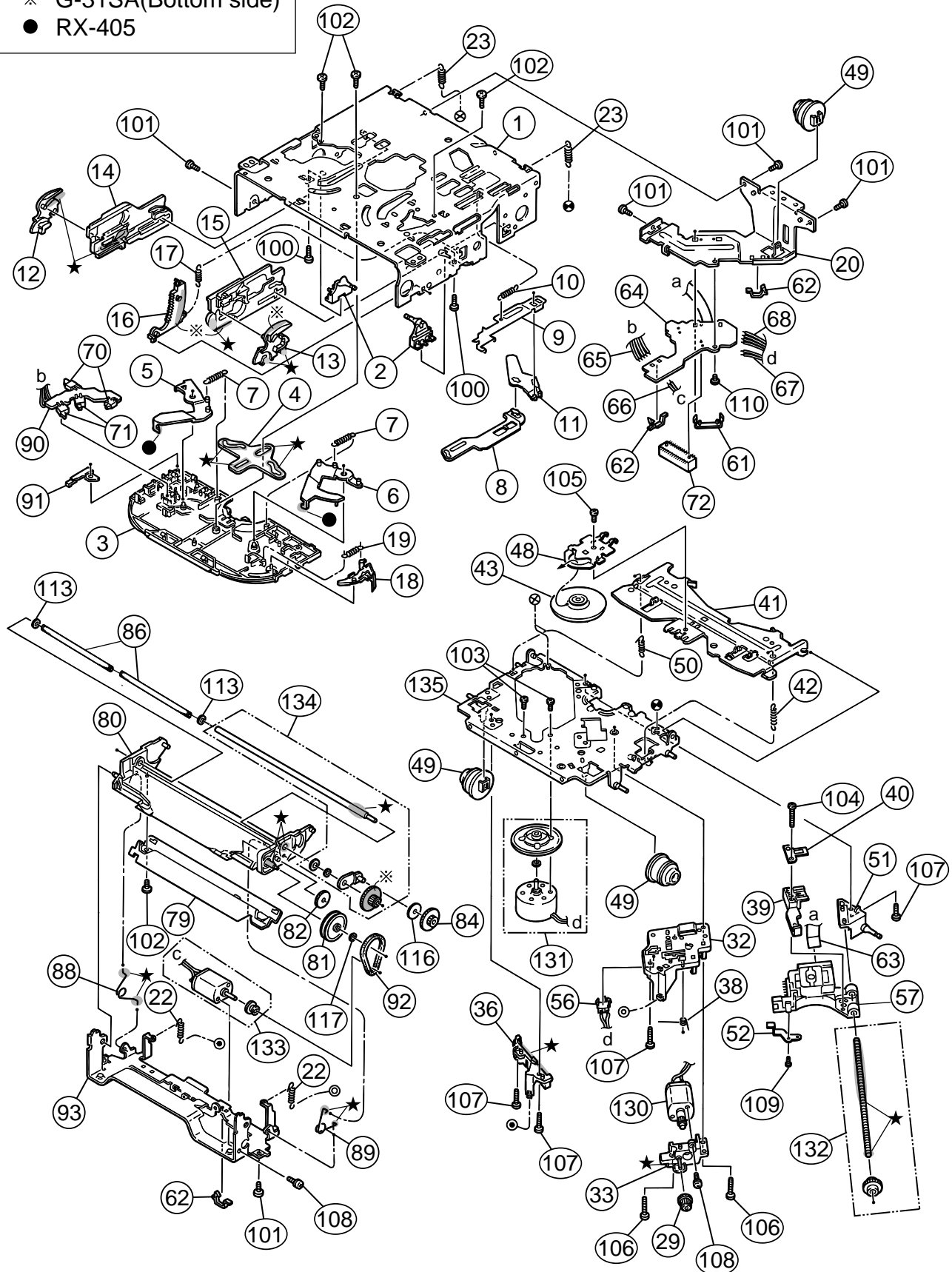
# CD mechanism assembly and parts list

Grease

- ★ G-31SA
- ※ G-31SA(Bottom side)
- RX-405

TN-CCD1001Z-136J

Block No. M 2 M M



## ■ Parts list (CD mechanism)

Block No. M2MM

△	Item	Parts number	Parts name	Q'ty	Description	Area
	1	30310101T	FRAME	1		
	2	30310103T	DANPER PIN	2		
	3	30310107T	UPPER PLATE	1		
	4	30310108T	SEL STOP PLATE	1		
	5	30310142T	SEL ARM (L)L	1		
	6	30310143T	SEL ARM (R)L	1		
	7	30310145T	S ARM SPRING(L)	2		
	8	30310112T	TRIG LEVER	1		
	9	30310155T	TRIG PL(Z)	1		
	10	30310115T	TRIG PL SPRING	1		
	11	30310116T	TRIG ARM	1		
	12	30310134T	FIX ARM (L)B	1		
	13	30310159T	FIX ARM (R)Z	1		
	14	30310150T	FIX PL (L)Z	1		
	15	30310156T	FIX PL (R) Z	1		
	16	30310138T	LDG GR (6)B	1		
	17	30310122T	LDG GEAR (6)SP	1		
	18	30310148T	S.L ARM(N)	1		
	19	30310125T	S.L ARM SPRING	1		
	20	30310149T	REAR DAM BKT(Z)	1		
	22	30310151T	HUNG UP SP (FZ)	2		
	23	30310129T	HUNG UP SP (R)	2		
	29	30300510T	PU GEAR(B)	1		
	32	30310544T	F.M.BASE(Z)	1		
	33	30310547T	FD GR BLK(Z)	1		
	36	30310546T	PU GUIDE(Z)	1		
	38	30310533T	THRUST SPR(M)	1		
	39	30310548T	PU M NUT(Z)	1		
	40	30310512T	NUT PUSH SPR PL	1		
	41	30310558T	CLP ARM(Z)	1		
	42	30310514T	CLP ARM SPRING	1		
	43	30310552T	CLAMPER(Z)	1		
	48	30310557T	CLAMPER PLATE(Z)	1		
	49	30310524T	DAMPER (J)	3		
	50	30310525T	CLP ARM SPR (L)	1		
	51	30310545T	F SCREW GUIDE(Z)	1		
	52	30310556T	PU G.SP PLT(Z)	1		
	56	64180405T	DET SW	1	ESE11SF4	
	57	OPTIMA-720L1	C.D PICK (CAR)	1		
	61	30311035T	FPC HOLDER(Z)	1		
	62	19501403T	WIRE CLAMPER	3		
	63	30311037T	PICK UP FPC(Z)	1		
	64	30311036T	CONNECT.PCB(Z-J)	1		
	65	30311038T	WIRE (5P-Z)	1		
	66	30311039T	WIRE (LD-Z)	1		
	67	30311040T	WIRE (FD-Z)	1		
	68	30311041T	WIRE (RS-Z)	1		
	70	64180402T	DET SWITCH	2	ESE22MH1	

**Parts list (CD mechanism)**
**Block No. M2MM**

△	Item	Parts number	Parts name	Q'ty	Description	Area
	71	64180403T	DET SWITCH	2	ESE22MH3	
	72	68150232T	CONNECTOR	1	TKC-W26X-C1	
	79	30311105T	SOPPORT PLATE	1		
	80	30311138T	GR MT BLK(N)	1		
	81	30311109T	LDG GEAR (2)	1		
	82	30311110T	LDG GEAR (3)	1		
	84	30311112T	LDG GEAR (5)	1		
	86	30311136T	LDG ROLLER	2		
	88	30311118T	L.P SPRING (L)	1		
	89	30311119T	L.P SPRING (R)	1		
	90	30311123T	SW PCB	1		
	91	30311124T	SW ACTUATOR	1		
	92	30311129T	LDG BELT	1		
	93	30311140T	FRONT BRKT (J)	1		
	100	9C0620503T	C B TAP SCREW	2	M2X5	
	101	9C2020401T	C SCREW TS.G	5	M2X4	
	102	9C4320403T	C B TAP SCREW	4	M2X4	
	103	9C0117223T	SCREW	2	M1.7X2.2	
	104	9C0917703T	C TAP SCREW S3	1	M1.7X7	
	105	9C0320201T	C TAP SCREW S3	1	M2X2	
	106	9C4920013T	C TAP SCREW S3	2	M2X10	
	107	9C4920603T	C TAP SCREW B3	4	M2X6	
	108	9P0220031T	TAMS SCREW	2	M2X3	
	109	9C0314203T	C TAP SCREW	1	M1.4X2	
	110	9C0420253	C TAP SCREW	1	M2X2.5	
	113	9W0330276	NW BLUE	2	2.9X5X0.3	
	116	9W0725030T	LUMILAR W	1	2.3X9.8X0.25	
	117	9W0640030T	WASHER	1	1.4X3.2X0.4	
	130	303105310T	FEED MO ASSY	1		
	131	303105311T	SPINDLE MO ASSY	1		
	132	303105312T	FEED SCREW ASSY	1		
	133	303111301T	LDG MOTOR ASSY	1		
	134	303111302T	RDG RLR SFT ASY	1		
	135	303105502T	T.T.BASE ASSY	1		

■ Electrical parts list (Main board)

Block No. 01

△	Item	Parts number	Parts name	Remarks	Area
	BZ871	QAN0009-001Z	BUZZER		
	C 1	NCB31EK-473X	C CAPACITOR		
	C 2	QERF1HM-104Z	E CAPACITOR	.10MF 20% 50V	
	C 4	QER41AM-227	E CAPACITOR	220MF 20% 10V	
	C 5	NCB31HK-103X	C CAPACITOR		
	C 6	QEK41CM-106	E CAPACITOR	10MF 20% 16V	
	C 7	QEKJ1CM-226Z	E CAPACITOR	22MF 20% 16V	
	C 11	NCS31HJ-331X	C CAPACITOR		
	C 12	NCB31EK-103X	C CAPACITOR		
	C 15	NDC31HJ-120X	C CAPACITOR		
	C 16	NCS31HJ-7R0X	C CAPACITOR		
	C 17	NCS31HJ-121X	C CAPACITOR		
	C 31	QERF1HM-225Z	E CAPACITOR	2.2MF 20% 50V	
	C 32	NCB31HK-102X	C CAPACITOR		
	C 33	QER41AM-227	E CAPACITOR	220MF 20% 10V	
	C 34	QERF1HM-224Z	E CAPACITOR	.22MF 20% 50V	
	C 41	NCB31EK-563X	C CAPACITOR		
	C 42	NCB31HK-123X	C CAPACITOR		
	C 43	NCS31HJ-151X	C CAPACITOR		
	C 103	QER41HM-105	E CAPACITOR	1.0MF 20% 50V	
	C 105	NCB31HK-223X	C CAPACITOR		
	C 111	QEK41EM-475	E CAPACITOR	4.7MF 20% 25V	
	C 112	NCS31HJ-821X	C CAPACITOR		
	C 113	NCS31HJ-121X	C CAPACITOR		
	C 115	QEKJ0JM-476Z	E CAPACITOR	47MF 20% 6.3V	
	C 116	QEKJ1AM-107Z	E CAPACITOR	100MF 20% 10V	
	C 203	QER41HM-105	E CAPACITOR	1.0MF 20% 50V	
	C 205	NCB31HK-223X	C CAPACITOR		
	C 211	QEK41EM-475	E CAPACITOR	4.7MF 20% 25V	
	C 212	NCS31HJ-821X	C CAPACITOR		
	C 213	NCS31HJ-121X	C CAPACITOR		
	C 215	QEKJ0JM-476Z	E CAPACITOR	47MF 20% 6.3V	
	C 301	QERF1EM-475Z	E CAPACITOR	4.7MF 20% 25V	
	C 302	QER41CM-106	E CAPACITOR	10MF 20% 16V	
	C 303	NCS31HJ-471X	C CAPACITOR		
	C 304	NCB31EK-104X	C CAPACITOR		
	C 305	NCB31HK-103X	C CAPACITOR		
	C 306	NCB31CK-104X	C CAPACITOR		
	C 307	NCB31HK-472X	C CAPACITOR		
	C 308	NCS31HJ-471X	C CAPACITOR		
	C 309	QER41CM-106	E CAPACITOR	10MF 20% 16V	
	C 310	QERF1EM-475Z	E CAPACITOR	4.7MF 20% 25V	
	C 311	NCB31EK-472X	C CAPACITOR		
	C 312	NCB31AK-224X	C CAPACITOR		
	C 313	NCB31AK-224X	C CAPACITOR		
	C 321	QER41CM-476	E CAPACITOR	47MF 20% 16V	
	C 322	QER41AM-107	E CAPACITOR	100MF 20% 10V	
	C 323	QERF1HM-104Z	E CAPACITOR	.10MF 20% 50V	
	C 331	QERF1HM-225Z	E CAPACITOR	KD-SX975	
	C 332	QERF1HM-225Z	E CAPACITOR	KD-SX975	
	C 341	QER41AM-107	E CAPACITOR	KD-SX975	
	C 342	QERF1EM-475Z	E CAPACITOR	KD-SX975	
	C 343	QER41AM-107	E CAPACITOR	KD-SX975	
	C 344	QERF1EM-475Z	E CAPACITOR	KD-SX975	
	C 345	QER41CM-476	E CAPACITOR	KD-SX975	
	C 346	QERF1HM-225Z	E CAPACITOR	2.2MF 20% 50V	
	C 347	QERF1HM-225Z	E CAPACITOR	2.2MF 20% 50V	
	C 348	QER41AM-107	E CAPACITOR	KD-SX975	
	C 351	QERF1HM-225Z	E CAPACITOR	2.2MF 20% 50V	
	C 352	QERF1HM-225Z	E CAPACITOR	2.2MF 20% 50V	
	C 353	NCS31HJ-391X	C CAPACITOR		
	C 354	NCS31HJ-391X	C CAPACITOR		
	C 355	QERF1CM-107Z	E CAPACITOR	100MF 20% 16V	

△	Item	Parts number	Parts name	Remarks	Area
	C 356	NCB31HK-223X	C CAPACITOR		
	C 357	NCB31HK-223X	C CAPACITOR		
	C 358	QER41CM-476	E CAPACITOR	47MF 20% 16V	
	C 359	QERF1CM-226Z	E CAPACITOR	22MF 20% 16V	
	C 361	QEK41EM-475	E CAPACITOR	4.7MF 20% 25V	
	C 362	QEK41EM-475	E CAPACITOR	4.7MF 20% 25V	
	C 372	NCS31HJ-271X	C CAPACITOR		
	C 401	QERF1EM-475Z	E CAPACITOR	4.7MF 20% 25V	
	C 402	QER41CM-106	E CAPACITOR	10MF 20% 16V	
	C 403	NCS31HJ-471X	C CAPACITOR		
	C 404	NCB31EK-104X	C CAPACITOR		
	C 405	NCB31HK-103X	C CAPACITOR		
	C 406	NCB31CK-104X	C CAPACITOR		
	C 407	NCB31HK-472X	C CAPACITOR		
	C 408	NCS31HJ-471X	C CAPACITOR		
	C 409	QER41CM-106	E CAPACITOR	10MF 20% 16V	
	C 411	NCB31EK-472X	C CAPACITOR		
	C 412	NCB31AK-224X	C CAPACITOR		
	C 413	NCB31AK-224X	C CAPACITOR		
	C 431	QERF1HM-225Z	E CAPACITOR	KD-SX975	
	C 432	QERF1HM-225Z	E CAPACITOR	KD-SX975	
	C 441	QER41AM-107	E CAPACITOR	KD-SX975	
	C 442	QERF1EM-475Z	E CAPACITOR	KD-SX975	
	C 443	QER41AM-107	E CAPACITOR	KD-SX975	
	C 444	QERF1EM-475Z	E CAPACITOR	KD-SX975	
	C 445	QER41CM-476	E CAPACITOR	KD-SX975	
	C 446	QERF1HM-225Z	E CAPACITOR	2.2MF 20% 50V	
	C 447	QERF1HM-225Z	E CAPACITOR	2.2MF 20% 50V	
	C 451	QERF1HM-225Z	E CAPACITOR	2.2MF 20% 50V	
	C 452	QERF1HM-225Z	E CAPACITOR	2.2MF 20% 50V	
	C 453	NCS31HJ-391X	C CAPACITOR		
	C 454	NCS31HJ-391X	C CAPACITOR		
	C 501	QERF0JM-107Z	E CAPACITOR	100MF 20% 6.3V	
	C 502	NCB31HK-103X	C CAPACITOR		
	C 503	QERF0JM-107Z	E CAPACITOR	100MF 20% 6.3V	
	C 504	NCB31HK-103X	C CAPACITOR		
	C 505	NCB31HK-103X	C CAPACITOR		
	C 506	QERF0JM-107Z	E CAPACITOR	100MF 20% 6.3V	
	C 507	NCB31HK-103X	C CAPACITOR		
	C 508	NCB31EK-104X	C CAPACITOR		
	C 509	NCB31EK-104X	C CAPACITOR		
	C 510	NCS31HJ-560X	C CAPACITOR		
	C 512	QERF0JM-107Z	E CAPACITOR	100MF 20% 6.3V	
	C 513	NCB31HK-103X	C CAPACITOR		
	C 514	NCS31HJ-101X	C CAPACITOR		
	C 521	QEKJ0JM-107Z	E CAPACITOR	100MF 20% 6.3V	
	C 522	NCB31HK-103X	C CAPACITOR		
	C 523	QEKJ1HM-105Z	E CAPACITOR	1.0MF 20% 50V	
	C 524	QEKJ0JM-107Z	E CAPACITOR	100MF 20% 6.3V	
	C 525	NCB31HK-103X	C CAPACITOR		
	C 526	QEKJ0JM-107Z	E CAPACITOR	100MF 20% 6.3V	
	C 531	QERF0JM-107Z	E CAPACITOR	100MF 20% 6.3V	
	C 532	NCB31HK-103X	C CAPACITOR		
	C 533	NCS31HJ-470X	C CAPACITOR		
	C 534	NCB31HK-153X	C CAPACITOR		
	C 535	QERF0JM-107Z	E CAPACITOR	100MF 20% 6.3V	
	C 536	NCB31HK-103X	C CAPACITOR		
	C 537	NCB31HK-272X	C CAPACITOR		
	C 538	NCB31HK-103X	C CAPACITOR		
	C 539	NCB31EK-333X	C CAPACITOR		
	C 540	NCB31HK-103X	C CAPACITOR		
	C 542	NCB31HK-332X	C CAPACITOR		
	C 543	NCS31HJ-561X	C CAPACITOR		



## ■ Electrical parts list (Main board)

Block No. 01

△	Item	Parts number	Parts name	Remarks	Area	△	Item	Parts number	Parts name	Remarks	Area
	C 544	QERF0JM-107Z	E CAPACITOR	100MF 20% 6.3V			C 993	NCS31HJ-101X	C.CAPACITOR		
	C 545	NCB31EK-473X	C CAPACITOR				C 994	NCS31HJ-101X	C.CAPACITOR		
	C 546	NCB31EK-473X	C CAPACITOR				C 995	NCS31HJ-101X	C.CAPACITOR		
	C 547	NCB31EK-473X	C CAPACITOR				C 996	NCS31HJ-101X	C.CAPACITOR		
	C 549	NCB31EK-473X	C CAPACITOR				C 997	NCS31HJ-101X	C.CAPACITOR		
	C 551	QEKJ0JM-107Z	E CAPACITOR	100MF 20% 6.3V			C 998	NCS31HJ-101X	C.CAPACITOR		
	C 552	NCB31HK-103X	C CAPACITOR				CM702	NRSA02J-0R0X	MG RESISTOR		
	C 553	NCB31HK-103X	C CAPACITOR				CN501	QGB2027M1-26S	CONNECTOR		
	C 554	QEKJ0JM-107Z	E CAPACITOR	100MF 20% 6.3V			CN701	QNZ0007-002	CAR CONNECTOR		
	C 555	NCB31HK-103X	C CAPACITOR				CN901	QNZ0002-001	16P CONNECTOR		
	C 558	NCS31HJ-101X	C.CAPACITOR				D 1	1SS133-T1	SI DIODE I/M		
	C 559	NCS31EJ-102X	C.CAPACITOR				D 2	1SS133-T1	SI DIODE I/M		
	C 560	NCS31HJ-270X	C CAPACITOR				D 3	1SS355-X	DIODE		
	C 571	QEKJ0JM-107Z	E CAPACITOR	100MF 20% 6.3V			D 4	1SS355-X	DIODE		
	C 573	QEKJ0JM-107Z	E CAPACITOR	100MF 20% 6.3V			D 31	UDZS10B-X	ZENER DIODE		
	C 574	NCB31HK-103X	C CAPACITOR				D 301	1SS355-X	DIODE		
	C 581	QER41AM-107	E CAPACITOR	100MF 20% 10V			D 302	1SS355-X	DIODE		
	C 582	NCB31HK-103X	C CAPACITOR				D 324	UDZS10B-X	ZENER DIODE		
	C 583	QERF0JM-476Z	E CAPACITOR	47MF 20% 6.3V			D 351	1SS133-T1	SI DIODE I/M		
	C 699	NCB31EK-104X	C CAPACITOR				D 371	1SS355-X	DIODE		
	C 702	NCB31EK-104X	C CAPACITOR				D 372	1SS355-X	DIODE		
	C 703	NCB31EK-104X	C CAPACITOR				D 471	1SS355-X	DIODE		
	C 705	NDC31HJ-220X	C CAPACITOR				D 472	1SS355-X	DIODE		
	C 706	NDC31HJ-220X	C CAPACITOR				D 581	DSK10C-T1	DIODE		
	C 707	QEKJ0JM-227Z	E CAPACITOR	220MF 20% 6.3V			D 701	UDZS6.2B-X	ZENER DIODE		
	C 708	QER41AM-227	E CAPACITOR	220MF 20% 10V			D 702	UDZS6.2B-X	ZENER DIODE		
	C 709	NCB31EK-473X	C CAPACITOR				D 703	UDZS6.2B-X	ZENER DIODE		
	C 710	NCB31EK-104X	C CAPACITOR				D 704	UDZS5.6B-X	Z DIODE		
	C 711	NCB31EK-473X	C CAPACITOR				D 705	UDZS5.6B-X	Z DIODE		
	C 712	NCB31EK-103X	C CAPACITOR				D 706	UDZS5.6B-X	Z DIODE		
	C 713	NCB31EK-103X	C CAPACITOR				D 707	UDZS5.6B-X	Z DIODE		
	C 714	NCB31HK-103X	C CAPACITOR				D 708	UDZS5.6B-X	Z DIODE		
	C 771	NCB31EK-473X	C CAPACITOR				D 709	UDZS5.6B-X	Z DIODE		
	C 772	NCB31HK-103X	C CAPACITOR				D 710	UDZS5.6B-X	Z DIODE		
	C 872	QERF1HM-104Z	E CAPACITOR	.10MF 20% 50V			D 891	1SS355-X	DIODE		
	C 873	QERF1EM-475Z	E CAPACITOR	4.7MF 20% 25V			D 892	1SS355-X	DIODE		
	C 891	NCB31EK-473X	C CAPACITOR				D 951	1SS133-T1	SI DIODE I/M		
	C 914	QER41CM-106	E CAPACITOR	10MF 20% 16V			D 952	1SS133-T1	SI DIODE I/M		
	C 951	QER41HM-105	E CAPACITOR	1.0MF 20% 50V			D 960	1N5401-TU-15	DIODE		
	C 952	NCB31EK-473X	C CAPACITOR				D 961	1SS355-X	DIODE		
	C 953	QERF1CM-226Z	E CAPACITOR	22MF 20% 16V			D 962	CRS03-W	SB DIODE		
	C 954	QEKJ1HM-224Z	E CAPACITOR	.22MF 20% 50V			D 963	CRS03-W	SB DIODE		
	C 960	QEZ0337-228	E CAPACITOR	2200MF			D 964	CRS03-W	SB DIODE	KD-SX975	
	C 961	QERF1HM-225Z	E CAPACITOR	2.2MF 20% 50V			D 965	CRS03-W	SB DIODE	KD-SX975	
	C 962	QER41CM-476	E CAPACITOR	47MF 20% 16V			D 976	1SS133-T1	SI DIODE I/M		
	C 963	QER41CM-106	E CAPACITOR	10MF 20% 16V			D 977	UDZ11B-X	Z.DIODE		
	C 964	QER41CM-106	E CAPACITOR	10MF 20% 16V			IC111	NJM4565M-WE	IC		
	C 965	QERF1CM-226Z	E CAPACITOR	22MF 20% 16V			IC301	BD3860K	IC		
	C 966	NCB31HK-103X	C CAPACITOR				IC341	BA3220FV-X	IC	KD-SX975	
	C 967	QER41AM-227	E CAPACITOR	220MF 20% 10V			IC351	LA4743K	IC		
	C 968	QER41AM-227	E CAPACITOR	220MF 20% 10V			IC441	BA3220FV-X	IC	KD-SX975	
	C 969	QER41AM-227	E CAPACITOR	220MF 20% 10V			IC501	TA2109F-X	IC		
	C 970	NCB31EK-104X	C CAPACITOR				IC521	TC9462F	IC		
	C 971	QERF1CM-226Z	E CAPACITOR	KD-SX975			IC581	LA6567H-X	IC		
	C 975	NCB31EK-103X	C CAPACITOR				IC701	UPD178078GF-543	MICON IC		
	C 976	QERF0JM-476Z	E CAPACITOR	47MF 20% 6.3V			IC771	HD74HC126FP-X	IC		
	C 977	QERF1CM-107Z	E CAPACITOR	100MF 20% 16V			IC961	HA13164	IC		
	C 981	NCB31EK-104X	C CAPACITOR				J 1	QNB0100-001	CAR ANT JACK		
	C 982	NCB31EK-104X	C CAPACITOR				J 771	QNZ0095-001	CONNECTOR		
	C 983	NCB31EK-104X	C CAPACITOR				J 931	QNN0176-001	PIN JACK	KD-SX975	
	C 984	NCB31EK-104X	C CAPACITOR				J 931	QNN0175-001	PIN JACK	KD-SX875	
	C 991	NCS31HJ-101X	C.CAPACITOR				L 1	QQL244J-330Z	INDUCTOR		
	C 992	NCS31HJ-101X	C.CAPACITOR				L 521	QQL244J-4R7Z	INDUCTOR		

■ Electrical parts list (Main board)

Block No. 01

△	Item	Parts number	Parts name	Remarks	Area
	L 551	QQL244J-4R7Z	INDUCTOR		
	L 701	QQL244J-4R7Z	INDUCTOR		
	L 702	QQL244J-4R7Z	INDUCTOR		
	L 961	QQR0703-001	CHOKE COIL		
	PL701	QLL0033-001	PILOT LAMP		
	Q 2	UN2211-X	TRANSISTOR		
	Q 5	2SB709A/R/-X	TRANSISTOR		
	Q 6	2SB1197K/QR/-X	TRANSISTOR		
	Q 8	UN2211-X	TRANSISTOR		
	Q 31	2SD601A/R/-X	TRANSISTOR		
	Q 32	2SD601A/R/-X	TRANSISTOR		
	Q 41	2SC3661-X	TRANSISTOR		
	Q 42	2SC3661-X	TRANSISTOR		
	Q 351	UN2211-X	TRANSISTOR		
	Q 371	2SD1048/6-7/-X	TRANSISTOR		
	Q 372	2SD1048/6-7/-X	TRANSISTOR		
	Q 471	2SD1048/6-7/-X	TRANSISTOR		
	Q 472	2SD1048/6-7/-X	TRANSISTOR		
	Q 501	2SB1322/RS/-T	TRANSISTOR		
	Q 581	2SB1322/RS/-T	TRANSISTOR		
	Q 871	UN2211-X	TRANSISTOR		
	Q 891	UN2211-X	TRANSISTOR		
	Q 951	2SD601A/R/-X	TRANSISTOR		
	Q 963	2SB709A/R/-X	TRANSISTOR		
	Q 964	UN2211-X	TRANSISTOR		
	Q 971	UN2211-X	TRANSISTOR	KD-SX975	
	Q 976	UN2111-X	TRANSISTOR		
	Q 977	UN2111-X	TRANSISTOR		
	R 1	NRSA63J-0R0X	MG RESISTOR		
	R 2	NRSA63J-223X	MG RESISTOR		
	R 4	NRSA63J-103X	MG RESISTOR		
	R 5	NRSA02J-222X	MG RESISTOR		
	R 6	NRS181J-8R2X	MG RESISTOR		
	R 7	NRSA63J-103X	MG RESISTOR		
	R 8	NRSA63J-102X	MG RESISTOR		
	R 9	NRSA63J-473X	MG RESISTOR		
	R 11	NRSA02J-100X	MG RESISTOR		
	R 31	NRSA63J-152X	MG RESISTOR		
	R 32	NRSA63J-102X	MG RESISTOR		
	R 33	NRSA02J-103X	MG RESISTOR		
	R 34	NRSA02J-471X	MG RESISTOR		
	R 35	NRSA63J-102X	MG RESISTOR		
	R 41	NRSA63J-102X	MG RESISTOR		
	R 42	NRSA63J-392X	MG RESISTOR		
	R 43	NRSA02J-102X	MG RESISTOR		
	R 45	NRSA63J-102X	MG RESISTOR		
	R 101	NRSA63J-122X	MG RESISTOR		
	R 102	NRSA63J-472X	MG RESISTOR		
	R 111	NRSA63J-243X	MG RESISTOR		
	R 112	NRSA63J-333X	MG RESISTOR		
	R 113	NRSA63J-123X	MG RESISTOR		
	R 115	NCB31AK-474X	C CAPACITOR		
	R 116	NRSA63J-223X	MG RESISTOR		
	R 117	NRSA63J-223X	MG RESISTOR		
	R 201	NRSA63J-122X	MG RESISTOR		
	R 202	NRSA63J-472X	MG RESISTOR		
	R 211	NRSA63J-243X	MG RESISTOR		
	R 212	NRSA63J-333X	MG RESISTOR		
	R 213	NRSA63J-123X	MG RESISTOR		
	R 215	NCB31AK-474X	C CAPACITOR		
	R 216	NRSA63J-223X	MG RESISTOR		
	R 217	NRSA63J-223X	MG RESISTOR		
	R 301	NRSA63J-224X	MG RESISTOR		

△	Item	Parts number	Parts name	Remarks	Area
	R 302	NRSA63J-224X	MG RESISTOR		
	R 303	NRSA63J-682X	MG RESISTOR		
	R 304	NRSA63J-105X	MG RESISTOR		
	R 305	NRSA63J-332X	MG RESISTOR		
	R 321	NRSA63J-222X	MG RESISTOR		
	R 322	NRSA63J-222X	MG RESISTOR		
	R 323	NRSA63J-0R0X	MG RESISTOR	KD-SX875	
	R 324	NRSA63J-0R0X	MG RESISTOR	KD-SX875	
	R 331	NRSA63J-103X	MG RESISTOR	KD-SX975	
	R 332	NRSA63J-103X	MG RESISTOR	KD-SX975	
	R 341	NRSA63J-333X	MG RESISTOR	KD-SX975	
	R 342	NRSA63J-273X	MG RESISTOR	KD-SX975	
	R 343	NRSA63J-333X	MG RESISTOR	KD-SX975	
	R 344	NRSA63J-273X	MG RESISTOR	KD-SX975	
	R 345	NRSA63J-154X	MG RESISTOR	KD-SX975	
	R 346	NRSA63J-473X	MG RESISTOR	KD-SX975	
	R 346	NRSA63J-103X	MG RESISTOR	KD-SX875	
	R 347	NRSA63J-103X	MG RESISTOR	KD-SX875	
	R 347	NRSA63J-473X	MG RESISTOR	KD-SX975	
	R 351	NRSA63J-683X	MG RESISTOR	KD-SX975	
	R 351	NRSA63J-273X	MG RESISTOR	KD-SX875	
	R 352	NRSA63J-273X	MG RESISTOR	KD-SX875	
	R 352	NRSA63J-683X	MG RESISTOR	KD-SX975	
	R 353	NRSA63J-473X	MG RESISTOR	KD-SX975	
	R 354	NRSA63J-473X	MG RESISTOR	KD-SX975	
	R 356	NRSA02J-103X	MG RESISTOR		
	R 357	NRSA63J-0R0X	MG RESISTOR		
	R 358	NRSA02J-473X	MG RESISTOR		
	R 359	NRSA63J-0R0X	MG RESISTOR		
	R 360	NRSA63J-0R0X	MG RESISTOR		
	R 371	NRSA02J-821X	MG RESISTOR		
	R 372	NRSA02J-821X	MG RESISTOR		
	R 373	NRSA02J-222X	MG RESISTOR		
	R 374	NRSA63J-222X	MG RESISTOR		
	R 375	NRSA02J-101X	MG RESISTOR		
	R 376	NRSA02J-101X	MG RESISTOR		
	R 401	NRSA63J-224X	MG RESISTOR		
	R 402	NRSA63J-224X	MG RESISTOR		
	R 403	NRSA63J-682X	MG RESISTOR		
	R 405	NRSA63J-332X	MG RESISTOR		
	R 423	NRSA63J-0R0X	MG RESISTOR	KD-SX875	
	R 424	NRSA63J-0R0X	MG RESISTOR	KD-SX875	
	R 431	NRSA63J-103X	MG RESISTOR	KD-SX975	
	R 432	NRSA63J-103X	MG RESISTOR	KD-SX975	
	R 441	NRSA63J-333X	MG RESISTOR	KD-SX975	
	R 442	NRSA63J-273X	MG RESISTOR	KD-SX975	
	R 443	NRSA63J-333X	MG RESISTOR	KD-SX975	
	R 444	NRSA63J-273X	MG RESISTOR	KD-SX975	
	R 445	NRSA63J-154X	MG RESISTOR	KD-SX975	
	R 446	NRSA63J-473X	MG RESISTOR	KD-SX975	
	R 446	NRSA63J-103X	MG RESISTOR	KD-SX875	
	R 447	NRSA63J-103X	MG RESISTOR	KD-SX875	
	R 447	NRSA63J-473X	MG RESISTOR	KD-SX975	
	R 451	NRSA63J-683X	MG RESISTOR	KD-SX975	
	R 451	NRSA63J-273X	MG RESISTOR	KD-SX875	
	R 452	NRSA63J-273X	MG RESISTOR	KD-SX875	
	R 452	NRSA63J-683X	MG RESISTOR	KD-SX975	
	R 453	NRSA63J-473X	MG RESISTOR	KD-SX975	
	R 454	NRSA63J-473X	MG RESISTOR	KD-SX975	
	R 471	NRSA02J-821X	MG RESISTOR		
	R 472	NRSA02J-821X	MG RESISTOR		
	R 473	NRSA63J-222X	MG RESISTOR		
	R 474	NRSA63J-222X	MG RESISTOR		

■ Electrical parts list (Main board)

Block No. 01

△	Item	Parts number	Parts name	Remarks	Area
	R 475	NRSA02J-101X	MG RESISTOR		
	R 476	NRSA02J-101X	MG RESISTOR		
	R 501	NRSA63J-473X	MG RESISTOR		
	R 502	NRSA63J-473X	MG RESISTOR		
	R 503	NRSA63J-473X	MG RESISTOR		
	R 504	NRSA63J-473X	MG RESISTOR		
	R 505	NRSA63J-104X	MG RESISTOR		
	R 506	NRSA63J-104X	MG RESISTOR		
	R 507	NRSA02J-220X	MG RESISTOR		
	R 508	NRSA02J-220X	MG RESISTOR		
	R 509	NRSA63J-333X	MG RESISTOR		
	R 510	NRSA63J-473X	MG RESISTOR		
	R 511	NRSA63J-222X	MG RESISTOR		
	R 512	NRSA63J-153X	MG RESISTOR		
	R 513	NRSA63J-682X	MG RESISTOR		
	R 514	NRSA63J-473X	MG RESISTOR		
	R 521	NRSA63J-472X	MG RESISTOR		
	R 522	NRSA63J-472X	MG RESISTOR		
	R 523	NRSA63J-472X	MG RESISTOR		
	R 524	NRSA63J-472X	MG RESISTOR		
	R 525	NRSA63J-103X	MG RESISTOR		
	R 531	NRSA63J-103X	MG RESISTOR		
	R 532	NRSA63J-473X	MG RESISTOR		
	R 533	NRSA63J-683X	MG RESISTOR		
	R 534	NRSA63J-474X	MG RESISTOR		
	R 536	NRSA63J-333X	MG RESISTOR		
	R 537	NRSA63J-103X	MG RESISTOR		
	R 541	NRSA63J-152X	MG RESISTOR		
	R 542	NRSA63J-153X	MG RESISTOR		
	R 543	NRSA63J-332X	MG RESISTOR		
	R 544	NRSA63J-332X	MG RESISTOR		
	R 545	NRSA63J-682X	MG RESISTOR		
	R 547	NRSA63J-152X	MG RESISTOR		
	R 556	NRSA02J-331X	MG RESISTOR		
	R 571	NRS181J-101X	MG RESISTOR		
	R 581	NRSA63J-203X	MG RESISTOR		
	R 582	NRSA63J-822X	MG RESISTOR		
	R 583	NRSA63J-242X	MG RESISTOR		
	R 584	NRSA63J-562X	MG RESISTOR		
	R 585	NRSA02J-822X	MG RESISTOR		
	R 586	NRSA02J-203X	MG RESISTOR		
	R 685	NRSA63J-105X	MG RESISTOR		
	R 686	NRSA63J-105X	MG RESISTOR		
	R 701	NRSA63J-472X	MG RESISTOR		
	R 702	NRSA63J-472X	MG RESISTOR		
	R 703	NRSA63J-472X	MG RESISTOR		
	R 704	NRSA63J-473X	MG RESISTOR		
	R 706	NRSA63J-222X	MG RESISTOR		
	R 707	NRSA63J-222X	MG RESISTOR		
	R 708	NRSA63J-0R0X	MG RESISTOR		
	R 709	NRSA63J-222X	MG RESISTOR		
	R 710	NRSA63J-473X	MG RESISTOR		
	R 711	NRSA63J-473X	MG RESISTOR		
	R 712	NRSA63J-473X	MG RESISTOR		
	R 713	NRSA63J-473X	MG RESISTOR		
	R 714	NRSA63J-103X	MG RESISTOR		
	R 715	NRSA63J-103X	MG RESISTOR		
	R 716	NRSA63J-103X	MG RESISTOR		
	R 717	NRSA63J-103X	MG RESISTOR		
	R 718	NRSA63J-472X	MG RESISTOR		
	R 719	NRSA63J-103X	MG RESISTOR		
	R 720	NRSA63J-472X	MG RESISTOR		
	R 721	NRSA63J-103X	MG RESISTOR		
	R 722	NRSA63J-472X	MG RESISTOR		
	R 724	NRSA63J-473X	MG RESISTOR		
	R 725	NRSA63J-473X	MG RESISTOR		
	R 726	NRSA63J-0R0X	MG RESISTOR		
	R 727	NRSA63J-0R0X	MG RESISTOR		

△	Item	Parts number	Parts name	Remarks	Area
	R 729	NRSA63J-473X	MG RESISTOR		
	R 731	NRSA63J-473X	MG RESISTOR		
	R 732	NRSA63J-103X	MG RESISTOR		
	R 733	NRSA63J-473X	MG RESISTOR		
	R 734	NRSA63J-104X	MG RESISTOR		
	R 735	NRSA63J-103X	MG RESISTOR		
	R 737	NRS181J-511X	MG RESISTOR		
	R 744	NRSA63J-222X	MG RESISTOR		
	R 745	NRSA63J-222X	MG RESISTOR		
	R 746	NRSA63J-103X	MG RESISTOR		
	R 747	NRSA63J-472X	MG RESISTOR		
	R 749	NRSA63J-0R0X	MG RESISTOR	KD-SX975	
	R 750	NRSA63J-122X	MG RESISTOR		
	R 751	NRSA63J-103X	MG RESISTOR		
	R 752	NRSA63J-103X	MG RESISTOR		
	R 753	NRSA63J-473X	MG RESISTOR		
	R 754	NRSA63J-102X	MG RESISTOR		
	R 755	NRSA63J-122X	MG RESISTOR		
	R 756	NRSA63J-472X	MG RESISTOR		
	R 757	NRSA63J-102X	MG RESISTOR		
	R 758	NRSA63J-103X	MG RESISTOR		
	R 759	NRSA63J-473X	MG RESISTOR		
	R 760	NRSA63J-103X	MG RESISTOR		
	R 761	NRSA63J-103X	MG RESISTOR		
	R 762	NRSA63J-103X	MG RESISTOR		
	R 763	NRSA63J-103X	MG RESISTOR		
	R 764	NRSA63J-473X	MG RESISTOR		
	R 765	NRSA63J-473X	MG RESISTOR	KD-SX975	
	R 766	NRSA63J-473X	MG RESISTOR	KD-SX875	
	R 768	NRSA63J-473X	MG RESISTOR		
	R 769	NRSA63J-101X	MG RESISTOR		
	R 772	NRSA63J-473X	MG RESISTOR		
	R 773	NRSA63J-223X	MG RESISTOR		
	R 774	NRSA63J-101X	MG RESISTOR		
	R 775	NRSA63J-103X	MG RESISTOR		
	R 776	NRSA63J-104X	MG RESISTOR		
	R 777	NRSA63J-223X	MG RESISTOR		
	R 778	NRSA63J-101X	MG RESISTOR		
	R 779	NRSA63J-473X	MG RESISTOR		
	R 781	NRSA63J-331X	MG RESISTOR		
	R 782	NRSA63J-104X	MG RESISTOR		
	R 871	NRSA63J-222X	MG RESISTOR		
	R 891	NRSA63J-473X	MG RESISTOR		
	R 892	NRSA63J-102X	MG RESISTOR		
	R 914	NRSA02J-103X	MG RESISTOR	KD-SX975	
	R 951	NRSA63J-473X	MG RESISTOR		
	R 952	NRSA63J-123X	MG RESISTOR		
	R 953	NRSA63J-184X	MG RESISTOR		
	R 954	NRSA63J-223X	MG RESISTOR		
	R 955	NRSA63J-101X	MG RESISTOR		
	R 956	NRSA63J-102X	MG RESISTOR		
	R 957	NRSA63J-563X	MG RESISTOR		
	R 961	QRZ0125-102X	C RESISTOR	1.0K 1/1W	
	R 962	NRSA02J-912X	MG RESISTOR		
	R 963	NRSA02J-472X	MG RESISTOR		
	R 966	NRSA63J-103X	MG RESISTOR		
	R 967	NRSA63J-273X	MG RESISTOR		
	R 968	NRS181J-222X	MG RESISTOR		
	R 969	NRS181J-222X	MG RESISTOR		
	R 971	NRSA63J-472X	MG RESISTOR	KD-SX975	
	R 972	NRSA63J-473X	MG RESISTOR	KD-SX975	
	S 701	QSW0923-001	DETECT SW	DETACH	
	S 702	QSW0923-001	DETECT SW	OPEN	
	S 703	QSW0534-001	DETECT SW	RESET	
	TU 1	QAU0223-001	TUNER		
	X 521	QAX0662-001Z	C RESONATOR		
	X 701	QAX0406-001Z	CRYSTAL		

■ Electrical parts list (Front board)

Block No. 02

△	Item	Parts number	Parts name	Remarks	Area
	C 601	NBE20JM-475X	TS E CAPACITOR		
	C 602	NCB31HK-103X	C CAPACITOR		
	C 603	NCS31HJ-221X	C CAPACITOR		
	C 604	NCB31AK-224X	C CAPACITOR		
	C 605	NCB31AK-224X	C CAPACITOR		
	C 606	NBE20JM-475X	TS E CAPACITOR		
	CN601	QNZ0006-001	CAR CONNECTOR		
	D 601	SML-310LT/MN/-X	LED		
	D 602	SML-310VT/JK/-X	LED	KD-SX975	
	D 602	LNJ308G81/1-3/X	LED	KD-SX875	
	D 603	LNJ308G81/1-3/X	LED	KD-SX875	
	D 603	SML-310VT/JK/-X	LED	KD-SX975	
	D 604	SML-310VT/JK/-X	LED	KD-SX975	
	D 604	LNJ308G81/1-3/X	LED	KD-SX875	
	D 605	LNJ308G81/1-3/X	LED		
	D 606	LNJ308G81/1-3/X	LED		
	D 607	LNJ308G81/1-3/X	LED		
	D 608	LNJ308G81/1-3/X	LED		
	D 609	LNJ308G81/1-3/X	LED		
	D 610	LNJ308G81/1-3/X	LED		
	D 611	LNJ308G81/1-3/X	LED	KD-SX875	
	D 612	LNJ308G81/1-3/X	LED	KD-SX875	
	D 613	LNJ308G81/1-3/X	LED	KD-SX875	
	D 613	CL-190UB-X-X	LED	KD-SX975	
	D 614	LNJ308G81/1-3/X	LED		
	D 615	LNJ308G81/1-3/X	LED		
	D 616	LNJ308G81/1-3/X	LED		
	D 617	LNJ308G81/1-3/X	LED		
	D 618	LNJ308G81/1-3/X	LED		
	D 619	SML-310YT/JKL/X	YELLOW LED		
	D 620	SML-310YT/JKL/X	YELLOW LED		
	D 621	SML-310DT/KL/-X	LED		
	D 622	LNJ308G81/1-3/X	LED		
	D 623	LNJ308G81/1-3/X	LED		
	D 624	CL-190UB-X-X	LED	KD-SX975	
	D 628	LNJ308G81/1-3/X	LED		
	D 629	LNJ308G81/1-3/X	LED		
	D 641	NSPW310BS/BRS/	LED		
	D 642	NSPW310BS/BRS/	LED		
	D 643	NSPW310BS/BRS/	LED		
	D 651	UDZS5.1B-X	Z DIODE		
	D 652	1SS355-X	DIODE		
	D 653	1SS355-X	DIODE		
	D 654	1SS355-X	DIODE		
	D 655	1SS355-X	DIODE		
	D 656	1SS355-X	DIODE		
	D 657	UDZS5.6B-X	Z DIODE		
	D 658	1SS355-X	DIODE		
	D 659	1SS355-X	DIODE		
	EN601	QSW0793-001	ROTARY ENCODER		
	IC601	LC75873NW	IC		
	IC602	RPM6938-SV4	IC		
	Q 641	2SB815/7/-X	TRANSISTOR	KD-SX975	
	Q 642	UN2211-X	TRANSISTOR	KD-SX975	
	R 601	NRSA63J-821X	MG RESISTOR		
	R 602	NRSA63J-821X	MG RESISTOR		
	R 603	NRSA63J-122X	MG RESISTOR		
	R 604	NRSA63J-182X	MG RESISTOR		
	R 605	NRSA63J-272X	MG RESISTOR		
	R 606	NRSA63J-821X	MG RESISTOR		
	R 607	NRSA63J-821X	MG RESISTOR		
	R 608	NRSA63J-122X	MG RESISTOR		
	R 609	NRSA63J-182X	MG RESISTOR		

△	Item	Parts number	Parts name	Remarks	Area
	R 611	NRSA63J-272X	MG RESISTOR		
	R 612	NRSA63J-821X	MG RESISTOR		
	R 613	NRSA63J-821X	MG RESISTOR		
	R 614	NRSA63J-122X	MG RESISTOR		
	R 615	NRSA63J-182X	MG RESISTOR		
	R 616	NRSA63J-272X	MG RESISTOR		
	R 617	NRSA63J-392X	MG RESISTOR		
	R 620	NRS181J-471X	MG RESISTOR		
	R 621	NRS181J-271X	MG RESISTOR	KD-SX875	
	R 621	NRS181J-681X	MG RESISTOR	KD-SX975	
	R 622	NRS181J-271X	MG RESISTOR		
	R 623	NRS181J-271X	MG RESISTOR		
	R 624	NRS181J-391X	MG RESISTOR	KD-SX875	
	R 625	NRS181J-431X	MG RESISTOR		
	R 626	NRS181J-271X	MG RESISTOR		
	R 627	NRS181J-391X	MG RESISTOR		
	R 628	NRS181J-561X	MG RESISTOR		
	R 629	NRS181J-511X	MG RESISTOR		
	R 630	NRS181J-821X	MG RESISTOR	KD-SX975	
	R 630	NRS181J-511X	MG RESISTOR	KD-SX875	
	R 641	NRS181J-471X	MG RESISTOR		
	R 642	NRS181J-471X	MG RESISTOR		
	R 643	NRS181J-471X	MG RESISTOR		
	R 644	NRS181J-471X	MG RESISTOR	KD-SX975	
	R 644	NRS181J-0R0X	MG RESISTOR	KD-SX875	
	R 645	NRSA63J-473X	MG RESISTOR	KD-SX975	
	R 646	NRS181J-102X	MG RESISTOR	KD-SX975	
	R 650	NRSA02J-101X	MG RESISTOR		
	R 651	NRSA63J-473X	MG RESISTOR		
	R 652	NRSA63J-473X	MG RESISTOR		
	R 653	NRS181J-102X	MG RESISTOR		
	R 654	NRSA02J-221X	MG RESISTOR		
	R 655	NRSA02J-394X	MG RESISTOR		
	R 656	NRSA63J-334X	MG RESISTOR		
	R 657	NRSA63J-103X	MG RESISTOR		
	R 658	NRSA63J-470X	MG RESISTOR		
	R 661	NRSA63J-332X	MG RESISTOR		
	R 662	NRSA63J-332X	MG RESISTOR		
	R 663	NRSA63J-332X	MG RESISTOR		
	R 669	NRSA63J-103X	MG RESISTOR		
	R 670	NRSA63J-103X	MG RESISTOR		
	R 671	NRSA63J-103X	MG RESISTOR		
	S 601	NSW0066-001X	TACT SWITCH		
	S 602	NSW0066-001X	TACT SWITCH		
	S 603	NSW0066-001X	TACT SWITCH		
	S 604	NSW0066-001X	TACT SWITCH		
	S 605	NSW0066-001X	TACT SWITCH		
	S 606	NSW0066-001X	TACT SWITCH		
	S 607	NSW0066-001X	TACT SWITCH		
	S 608	NSW0066-001X	TACT SWITCH		
	S 609	NSW0066-001X	TACT SWITCH		
	S 610	NSW0066-001X	TACT SWITCH		
	S 611	NSW0066-001X	TACT SWITCH		
	S 613	NSW0066-001X	TACT SWITCH		
	S 614	NSW0066-001X	TACT SWITCH		
	S 615	NSW0066-001X	TACT SWITCH		
	S 616	NSW0066-001X	TACT SWITCH		
	S 617	NSW0066-001X	TACT SWITCH		
	S 618	NSW0066-001X	TACT SWITCH		
	S 619	NSW0066-001X	TACT SWITCH		
	S 620	NSW0066-001X	TACT SWITCH		

< M E M O >

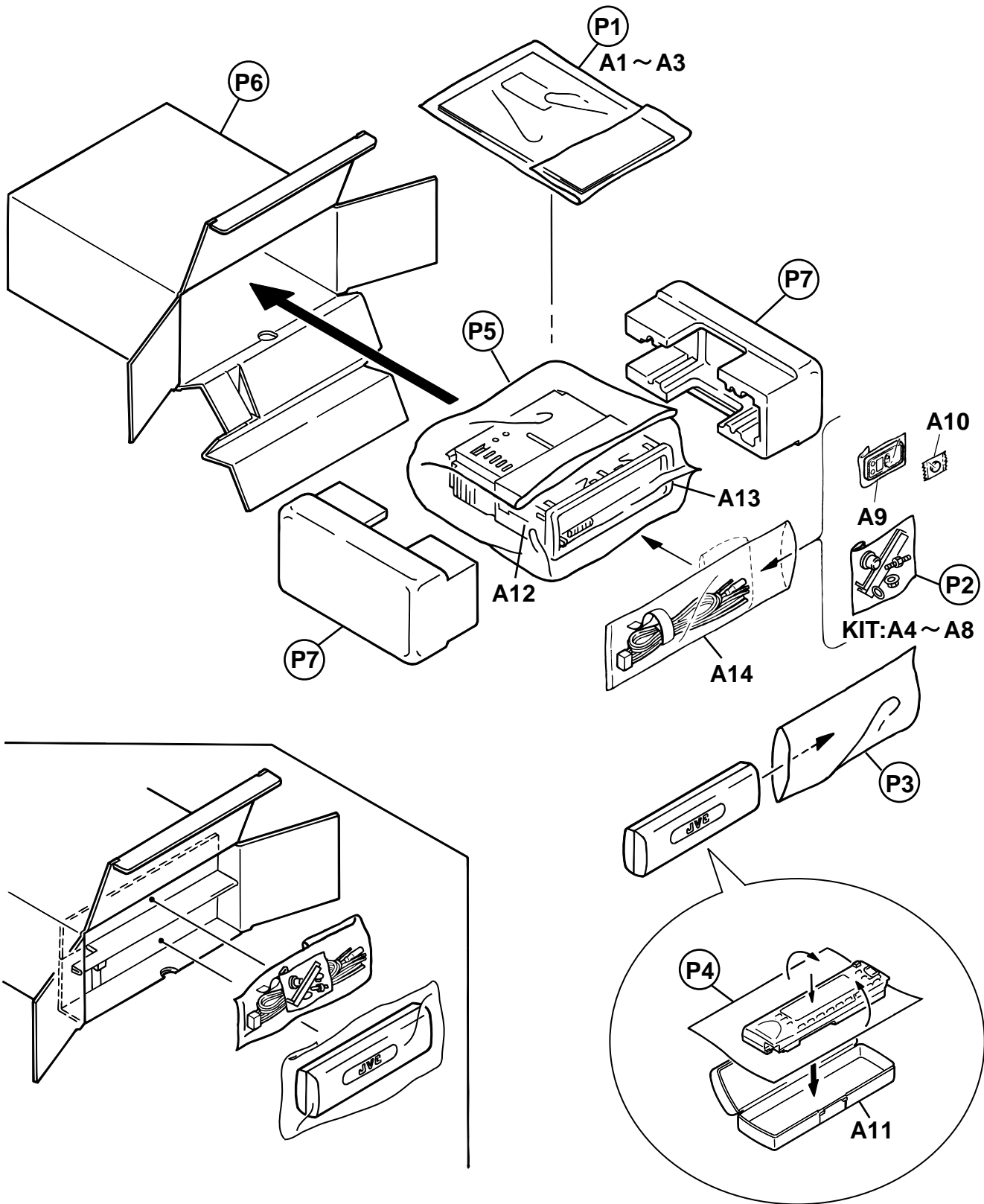
# Packing materials and accessories parts list

Block No. 

M	3	M	M
---	---	---	---

Block No. 

M	4	M	M
---	---	---	---



**Parts list (Packing)**

Block No. M3MM

△	Item	Parts number	Parts name	Q'ty	Description	Area
	P 1	FSPG4002-001	POLY BAG	1	FOR INST. BOOK	
	P 2	QPA00801205	POLY BAG	1		
	P 3	QPA01003003	POLY BAG	1		
	P 4	FSYH4036-068	SHEET	1		
	P 5	QPC03004315P	POLY BAG	1		
	P 6	GE30123-020A	CARTON	1	KD-SX975	
		GE30123-019A	CARTON	1	KD-SX875	
	P 7	GE10008-001A	EPS CUSHION	2		

**Parts list (Accessories)**

Block No. M4MM

△	Item	Parts number	Parts name	Q'ty	Description	Area
	A 1	GET0020-001A	INST.BOOK	1	ENG,CHI,ARA,THA	
	A 2	GET0020-002A	INSTALL MANUAL	1	ENG,CHI,ARA	
	A 3	GET0020-003A	INSTALL MANUAL	1	THA	
	A 4	VKZ4027-202	PLUG NUT	1		
	A 5	VKH4871-001SS	MOUNT BOLT	1		
	A 6	VKZ4328-001	LOCK NUT	1		
	A 7	WNS5000Z	WASHER	1		
	A 8	FSKL4010-002	HOOK	2		
	A 9	RM-RK31	REMOCON	1		
	A 10	QAB0014-001	BATTERY	1		
	A 11	FSJB3001-30C	HARD CASE	1		
	A 12	FSKM2004-202	MOUNTING SLEEVE	1		
	A 13	FSJD2034-002	TRIM PLATE	1	KD-SX975	
		FSJD2034-004	TRIM PLATE	1	KD-SX875	
	A 14	QAM0307-001	16 CORD ASSY	1	KD-SX875	
		QAM0308-001	16 CORD ASSY	1	KD-SX975	
	KIT	KDGS717K-SCREW1	SCREW PARTS KIT	1	A4-A8	